

**DS-2DP1636Z-D**

**PanoVu series 16MP 360°Panoramic+PTZ Camera**



Hikvision PanoVu series DS-2DP1636Z-D panoramic + PTZ cameras, with its integration design, are able to capture panoramic images as well as close-up images to give consideration to both panorama and details. The panoramic images are captured by four sensors, which could realize 360°panorama monitoring. The design of integration model and high speed PTZ offers the function of fast detail positioning over panoramic area.

Furthermore, with its advanced video analysis and multiple targets tracking algorithm, PanoVu cameras also feature a wide range of smart functions for multiple targets within the panoramic view filed, including intrusion detection, line crossing detection, region entrance detection, region exiting detection. The cameras could also output alarm signals to linkage the PTZ for tracking, benefitting users with great improvement on security efficiency.

- 1/1.9" Progressive Scan CMOS
- 360° view angle
- Up to 2 × 4096 × 1800@30fps
- Support
- 36X optical zoom, 16X digital zoom
- WDR
- 3D intelligent positioning function
- 30VDC power supply
- IP66



## Function Description

### Panoramic Camera

- 8 1/1.9" Progressive Scan CMOS, up to 2 × 4096 × 1800 resolution @30fps
- Horizontal angle of view: 360° , Vertical angle of view: 78°
- Min. Illumination: 0.002Lux@(F1.8,AGC ON)(Color), 0.0002Lux@(F1.8,AGC ON)(B/W)

### Tracking Camera

- 1/1.9" Progressive Scan CMOS, up to 1920 × 1080 resolution @30fps
- 360° endless pan range and -15°~ 90° tilt range
- Min. Illumination: 0.005Lux@(F1.5,AGC ON)(Color), 0.0005Lux@(F1.5,AGC ON)(B/W)
- 36X optical zoom, 16X digital zoom

### Basic function

- H.264/MJPEG/MPEG4 video compression
- H.264 encoding with Baseline/Main/High profile
- Onboard storage, up to 128GB
- Multiple network protocols supported: IPv4/Ipv6, HTTP, HTTPS, 802.1X, QoS, FTP, SMTP, UPnP, SNMP, DNS, DDNS, NTP, RTSP, RTP, TCP, UDP, IGMP, ICMP, DHCP, PPPoE
- 1 audio input and 1 audio output
- IP66 standard

### System function

- Smart detection: support intrusion detection, line crossing detection, region entrance detection, and region exiting detection.
- Support detecting moving targets in a semicircular range in 300 m diameter. Up to 30 targets can be detected at the same time.
- Support One-touch Link. By clicking the client or choosing region at any position on the panoramic image, the tracking camera will automatically adjust to place the region at the center of the image.
- Support automatic target tracking function. By setting the rules of smart events, the cameras will steadily tracking moving targets which triggers event in the setting time.
- Support manually choosing tracking targets and steadily tracking in the setting time.
- Support multiple target automatically switch tracking, switching time less than 1s.
- Smart image processing: support WDR, HLC, Defog.
- Support ONVIF(Open Network Video Interface Forum), CGI(Common Gateway Interface), PSIA(Physical Security Interoperability Alliance), to ensure greater interoperability between different platforms and compatibility.
- 7 alarm input and 2 alarm output.
- Optional fiber cable and RJ-45 cable.

## Specifications

<b>System Function</b>	
One-touch Link	Support
Tracking mode	Manual/ Auto/ Mix
Number of Targets	Up to 60 targets can be detected at the same time
Multiple Target Tracking	Support
Target switch time	<1s
Demarcate	Manual/ Auto
Smart Detection	Intrusion detection, Line crossing detection, Region entrance detection, Region exiting detection,
Tracking Time	Support
Sensitivity	Support
<b>Panoramic Camera</b>	
Image Sensor	1/1.9" Progressive Scan CMOS
Max. Image Resolution	2 × 4096 × 1800
Min. Illumination	Color: 0.002 Lux @ (F1.8, AGC ON), B/W: 0.0002Lux @ (F1.8, AGC ON)
Lens	f5.0mm/ F1.8
Angle of View	Horizontal angle of view: 360° , Vertical angle of view: 78°
Main Stream	50Hz: 25fps 2 ×(4096 × 1800, 3840 × 1680); 60Hz: 30fps 2 ×(4096 × 1800, 3840 × 1680)
Sub Stream	50Hz:25fps 2 ×(704 × 320); 60Hz:30fps 2 ×(704 × 320)
Third Stream	50Hz:25fps 2 ×(1280 × 560); 60Hz:30fps 2 ×(1280 × 560)
Image Compression	H.264(Baseline, Main, High Profile)/MJPEG
Others	WDR, HLC, 3D DNR
<b>Tracking PTZ Camera</b>	
Image Sensor	1/1.9" Progressive Scan CMOS
Max. Image Resolution	1920 × 1080
Min. Illumination	Color: 0.005 Lux @ (F1.5, AGC ON), B/W: 0.0005Lux @ (F1.5, AGC ON)
S/N Ratio	≥55dB
Focal Length	5.7 – 205.2mm, 36X
Zoom Speed	Approx.6.6s (Optical Wide-Tele)
Angle of View	58.7° - 2.0° (Wide-Tele)
Min. Working Distance	10-1500mm(Wide-Tele)
White Balance	Auto / Manual /ATW/Indoor/Outdoor/Daylight lamp/Sodium lamp
Day & Night	IR Cut Filter
Privacy Mask	24 privacy masks programmable; optional multiple colors and mosaics
Optical Defog	Support
ROI encoding	Support 24 areas with adjustable levels
Main Stream	50Hz: 25fps (1920 × 1080, 1280 × 960, 1280 × 720) 60Hz: 30fps (1920 × 1080, 1280 × 960, 1280 × 720)
Sub Stream	50Hz:25fps (704×576, 352×288, 176×144) 60Hz:30fps (704×480, 352×240, 176×120)
Third Stream	50Hz:25fps(1920×1080, 1280×960, 1280×720, 704×576, 352×288, 176×144) 60Hz:30fps(1920×1080, 1280×960, 1280×720, 704×480, 352×240, 176×120)
Image Compression	H.264(Baseline, Main, High Profile)/MJPEG
Others	Ture WDR, HLC, 3D DNR

**Pan and Tilt (Tracking PTZ Camera)**

Range	Pan: 360° endless; Tilt: -15°~ 90° (Auto flip)
Speed	Pan Manual Speed: 0.1°~300°/s, Pan Preset Speed: 540°/s Tilt Manual Speed: 0.1°~240°/s, Tilt Preset Speed: 400°/s
Number of Preset	300
Patrol	8 patrols, up to 32 presets per patrol
Pattern	4 patterns, with the recording time not less than 10 minutes per pattern
Park Action	Preset / Patrol / Pattern / Auto scan / Tilt scan / Random scan / Frame scan / Panorama scan
Scheduled Task	Preset / Patrol / Pattern / Auto scan / Tilt scan / Random scan / Frame scan / Panorama scan/Dome reboot/Dome adjust/Aux output
Power-off memory	Support

**Alarm**

Alarm I/O	7/2
Alarm Trigger	Face detection, Audio exception detection, Motion detection, Dynamic analysis, Tampering alarm, Network disconnect, IP address conflict, Storage exception
Alarm Action	Preset / Patrol / Pattern / SD card recording/ Aux output/ E-map on Client/ Send Email/ Upload to FTP

**Input /Output**

Monitor Output	1.0V[p-p] / 75Ω, NTSC (or PAL) composite, BNC
Audio Input	1 Mic in/Line in interface, line input: 2-2.4V[p-p]; output impedance: 1KΩ, ±10%
Audio Output	1 Audio output interface, line level, impedance: 600Ω

**Network**

Audio compression	G.711ulaw/G.711alaw/G.722/G.726/MP2L2/PCM
Protocols	IPv4/IPv6,HTTP,HTTPS,802.1x,Qos,FTP,SMTP,UPnP,SNMP,DNS,DDNS,NTP,RTSP,RTP,TCP,UDP,IGMP,ICMP, DHCP, PPPoE
Application programming	ISAPI

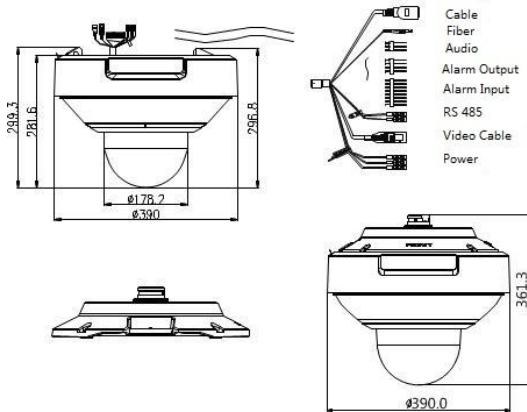
**System Integration**

Menu	English
User/Host Level	Up to 32 users,3 Levels: Administrator, Operator and User
Security Measures	User authentication (ID and PW); Host authentication (MAC address); IP address filtering
Web Browser	IE 7+, Chrome 18 +, Firefox 5.0 +, Safari 5.02 +, support multi-language
Simultaneous Live View	Up to 20 users
Fiber Cable	1 10M/100M FC interface, TX1310 / RX1550nm wavelength, 20 km transmission distance
Ethernet	1 RJ45 100M/1000M Ethernet interface
CVBS Output	1.0V[p-p] / 75Ω, NTSC (or PAL) composite, BNC
RS485	Half duplex, HIKVISION, Pelco-P, Pelco-D, self-adaptive
Onboard Storage	Built-in Micro SD/SDXC card slot, up to 128GB, manual/alarm recording

**General**

Power	DC 30V, MAX. 120W
Working Temperature/ Humidity	-40 °C – 65 °C, Humidity 90% or less
Protection Level	IP66 standard, TVS 6,000V lightning protection, surge protection and voltage transient protection
Dimensions(mm)	Φ 390(mm)×361.3(mm)
Weight	20kg (approx.)
Mount Option	Wall mount: DS-1603ZJ; Pendant mount: DS-1668ZJ (20); Ceiling Mount: DS-1668ZJ

## Dimensions



## Accessories



DS-1603ZJ  
Wall Mount



DS-1668ZJ  
Ceiling Mount



DS-1668ZJ (20)  
Pendant Mount

Distributed by



### Headquarters

No.555 Qianmo Road, Binjiang District,  
Hangzhou 310051, China  
T +86-571-8807-5998  
overseasbusiness@hikvision.com

### Hikvision Poland

T +48-22-460-01-50  
poland@hikvision.com

### Hikvision USA

T +1-909-895-0400  
sales.usa@hikvision.com

### Hikvision India

T +91-22-28469900  
sales@pramahikvision.com

### Hikvision UK

T +44-1628-9021-4  
support.uk@hikvision.com

### Hikvision Europe

T +31-23-5542770  
saleseuro@hikvision.com

### Hikvision Italy

T +39-0438-6902  
info.it@hikvision.com

### Hikvision Singapore

T +65-6684-4718  
sg@hikvision.com

### Hikvision Middle East

T +971-4-8816086  
salesme@hikvision.com

### Hikvision France

T +33(0)1-85-330-444  
info.fr@hikvision.com

### Hikvision Oceania

T +61-2-8599-4233  
salesau@hikvision.com

### Hikvision Russia

T +7-495-669-67-99  
saleru@hikvision.com

### Hikvision Spain

T +34-91-737-16-55  
info.es@hikvision.com

### Hikvision Hong Kong

T +852-2151-1761